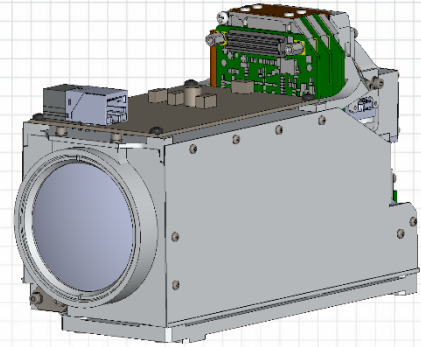


SWIR continuous zoom – Commercial off the shelf lens

# FANTOM

SWIR 22.5 – 340mm F/4.0 - 6.0 Continuous zoom Lens  
for 640 x 512 x 15μ detectors



## FEATURES / APPLICATIONS / CAPABILITIES

- True SWIR zoom lens
- 180° double Folded, compact design
- High MTF performance zoom lens for SWIR detectors
- High accuracy "ZERO BORESIGHT" design for maximum accuracy

	HFOV for Wide (22.5mm)			HFOV for Narrow (340mm)		
	640x512	1280x1024	IFOV (μrad)	640x512	1280x1024	IFOV (μrad)
10u	16.19°		0.44	1.08°		0.029
15u	24.09°		0.667	1.62°		0.044

PARAMETER		VALUE	NOTES
Main	Sub		

OPTICAL		
<b>Focal Length / F#</b>	22.5-340mm / F4.0-6.0	Wide – F/4.0, Narrow – F/6.0
<b>Detector (FPA) type / size</b>	Up to 640x512x15μ	
<b>Working Spectral Range</b>	0.9 -1.7μ	
MECHANICAL		
<b>Mechanical Back Focal Length</b>	7.5mm	
<b>Focus / Zoom mechanism</b>	Motorized	
<b>Focus Range</b>	30m / 100m – Infinity	For WOFV / NFOV accordingly
<b>Through zoom boresight</b>	≤ 0.10mm radius at focal plane	
<b>NFOV boresight retention</b>	≤ 0.045 mm radius at focal plane	
<b>Total Weight</b>	1.35Kg	
<b>Ext. Dimensions L x W x H (mm)</b>	197 x 102 x 127	
ELECTRICAL		
<b>Power Input</b>	12VDC, 1.0A	
<b>Communication Protocol</b>	RS-422/232 Full Duplex	
ENVIRONMENTAL		
<b>Operating / Storage Temperature</b>	-25°C to +55°C / -40°C to +75°C	
<b>Shock and Vibrations</b>	Per applicable standard	
<b>Front lens sealing</b>	IP66	IP67 By request

\*All values are nominal: to within ±5%

