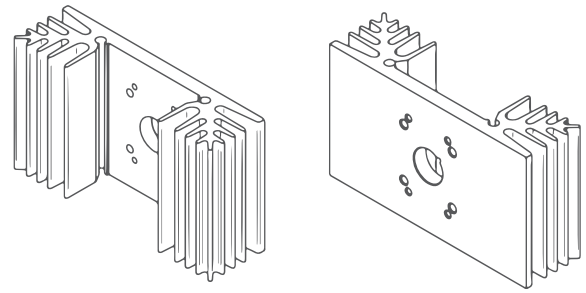


# AMS-HS

## Example heatsink for the AMS detection module series



### FEATURES

- Compatible with the AMS3140-01 and AMS6140-01 (p. 86)
- Thermal resistance: 6 K/W
- Rapid prototyping and proof-of-concept development
- Designed for easy integration with the AMS detection module series

### GENERAL DESCRIPTION

The AMS-HS is an example heatsink for the AMS detection module series. It is designed to be an easy tool for rapid prototyping and proof-of-concept work when a full evaluation kit is not suitable.

The AMS-HS features threaded mounting holes for the AMS module as well as additional holes compatible with Thorlabs 16 mm cage system for easy integration with external optics.

### MECHANICAL LAYOUT

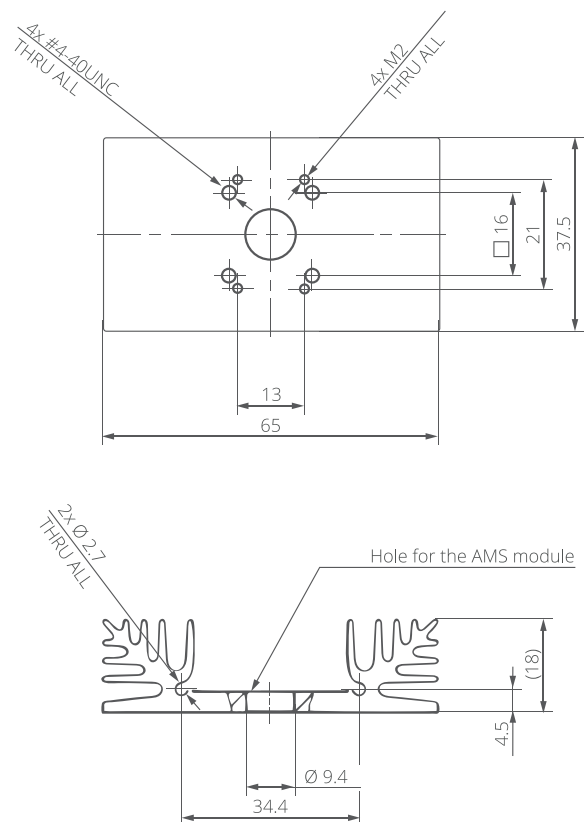


FIGURE 1. Dimensions of the AMS-HS (given in mm)