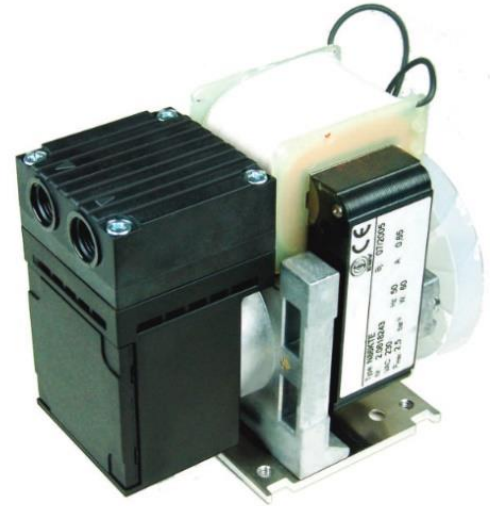


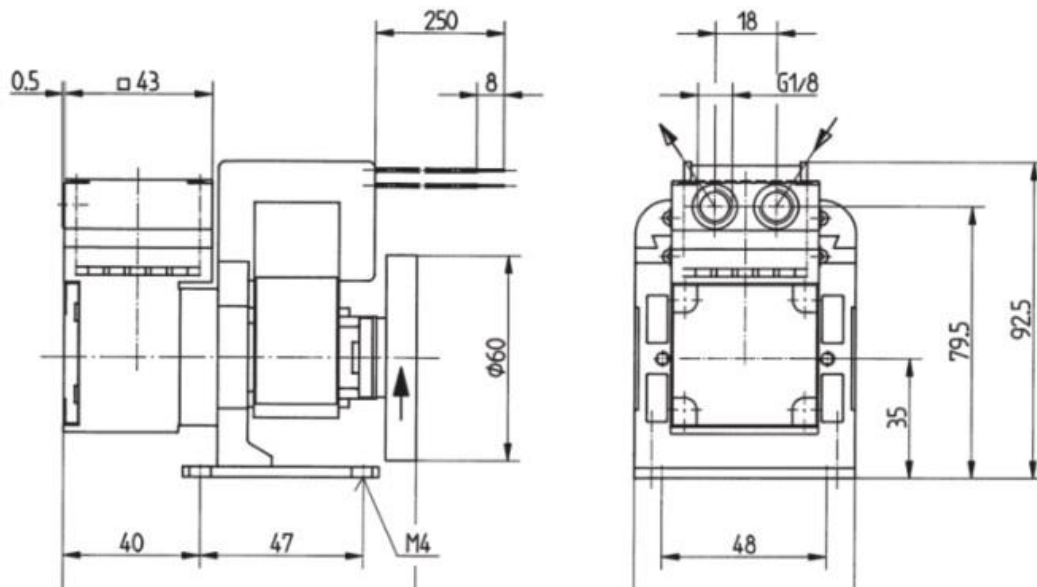
MADE IN GERMANY

SAMPLE GAS PUMP 5.5 NI/min

Item-No.: Z6-000032



- For extractive gas analysis
- For emission and process monitoring
- For continuous delivery of sample gas
- For installation in gas analysis systems
- Suitable for mobile devices
- Can be used for long pipe or hose distances



Application examples

Emission monitoring CEMS
Biogas
Process control
Fruit ripening
High voltage

Customizing options

High performance corrosion resistant sample gas pump
Easy to maintain robust fine dust filter
Corrosion resistant flowmeter with precise needle valve
Reliable condensate monitoring
Acid dosing pump

Accessory | Sample Gas Pump | Z6-000032

General features

Performance	Continuously working compact sample gas pump
Principle	Membrane pump
Mounting position	Operation in any installation position

Operation

Pump capacity at atm. pressure	5.5 NI/min
Ambient temperature	5° to 40 °C
Operating pressure max. (rel.)	3.5 bar
End vacuum max.	0.16 bar

Construction

Dimensions over all (W x H x D)	64 x 92.5 x 103 mm
Weight	approx. 1.1 kg
Connections inlet / outlet	G 1/8" i
Gas wetted materials	PTFE coated, Ryton®, Viton®
Protection class	IP00

Electrics

Power supply	230 VAC 50Hz
Power consumption	60 W
On time	100 %
Electrical connection	2 x 200 mm free strands 0,35 mm ² and 6,3 mm „Fast On“ earthing lead

All rights reserved. Any logos and/or product names are trademarks of smartGAS. The reproduction, transfer, distribution or storage of information contained in this brochure in any form without the prior written consent of smartGAS is strictly prohibited. All specifications – technical included – are subject to change without notice. Depending on the application, the target gas and the measurement range the technical data may differ. No liability is accepted for any consequential losses, injury or damage resulting from the use of this document or from any omissions or errors herein. The data is given for guidance only. It does not constitute a specification or an offer for sale.

For more information, please visit www.smartgas.eu or contact us at sales@smartgas.eu

Please consult smartGAS sales for parts specified with other temperature and measurement ranges. At first initiation and depending on application and ambient conditions recalibration is recommended. Recurring cycles of recalibration are recommended.