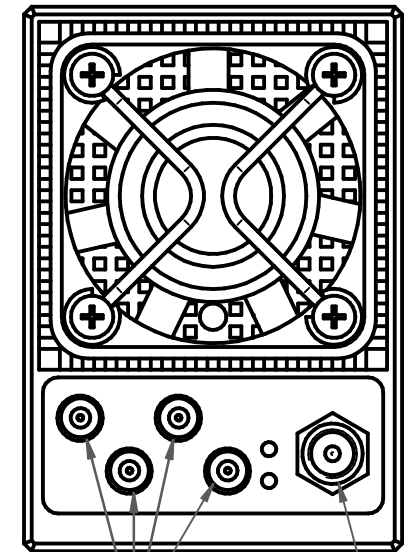
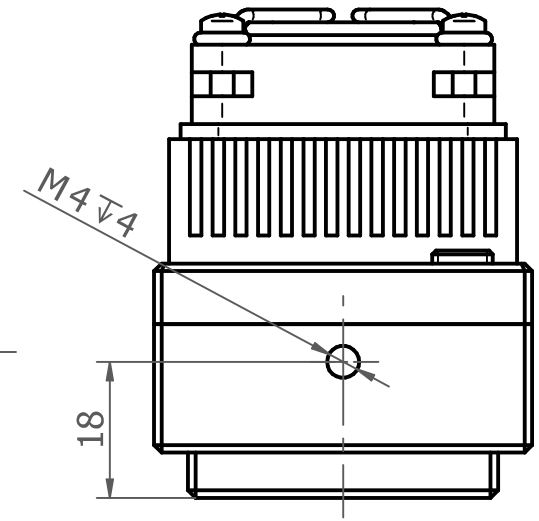
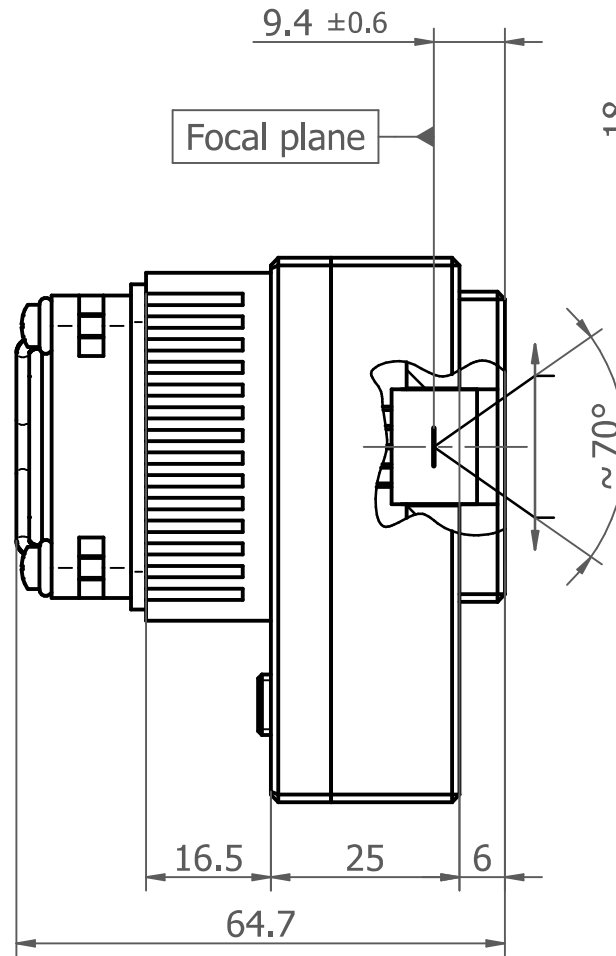


Detail A



Output signals

Power supply

FIRST ANGLE PROJECTION 	UNIT: mm GENERAL TOLERANCE: ISO 2768-mK	Scale 1:1	Sheet 1/1	Size A4	This document is the property of VIGO System S.A. and may not be disclosed to third parties, copied or used in whole or in part for any purpose without written permission from VIGO System S.A.
Date 19.07.2021	Drawing No. QM-5	Rev. 0	Title QM-5 module		