

## Miniature Airpump

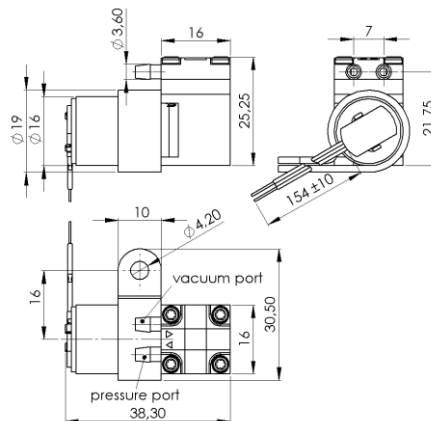
SPC270EC-HR 6 VDC

Incl. crimp connector and pump bracket

smartGAS item number: Z6-000002



### DIMENSIONS:



### APPLICATION EXAMPLE

Air sampling / gas measurement / gas metering

<b>Materials</b>	
Pump head:	PPS
Membrane, Valves:	FKM
Housing:	PA6
<b>Motor</b>	
Manufacturer:	Faulhaber
Type:	1624 T06S
Strand length:	45 mm ± 10 mm
<b>Weight</b>	
Weight:	~ 31 g
<b>Delivery rate of the pump</b>	
Operating voltage:	6 V DC
Max. suction volume:	≥ 580 ml / min
Max. power consumption:	140 mA
Suction Volume @ -100 mbar	≥ 480 ml / min
Power consumption @ -100 mbar	150 mA

All rights reserved. Any logos and/or product names are trademarks of smartGAS. The reproduction, transfer, distribution or storage of information contained in this brochure in any form without the prior written consent of smartGAS is strictly prohibited. All specifications – technical included – are subject to change without notice. Depending on the application, the target gas and the measurement range the technical data may differ. No liability is accepted for any consequential losses, injury or damage resulting from the use of this document or from any omissions or errors herein. The data is given for guidance only. It does not constitute a specification or an offer for sale.

For more information, please visit [www.smartGAS.eu](http://www.smartGAS.eu) or contact us at [sales@smartgas.eu](mailto:sales@smartgas.eu)

Please consult smartGAS sales for parts specified with other temperature and measurement ranges.

At first initiation and depending on application and ambient conditions recalibration is recommended. Recurring cycles of recalibration are recommended.