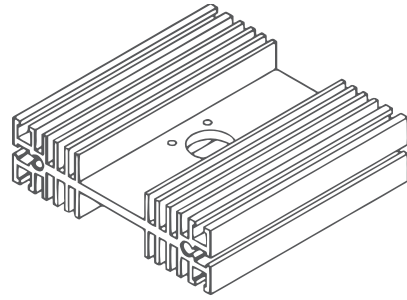


MHS-2

Heatsink



FEATURES

- Dedicated to VIGO **SM-I-12** detection module (p. 122)
- Dedicated to other VIGO detection modules with TE-cooled detectors in the TO8 package including **SIP-TO8** preamplifier series
- Made of black anodized aluminum
- Thermal resistance: ~1.5 K/W

MECHANICAL LAYOUT (Unit: mm)

